

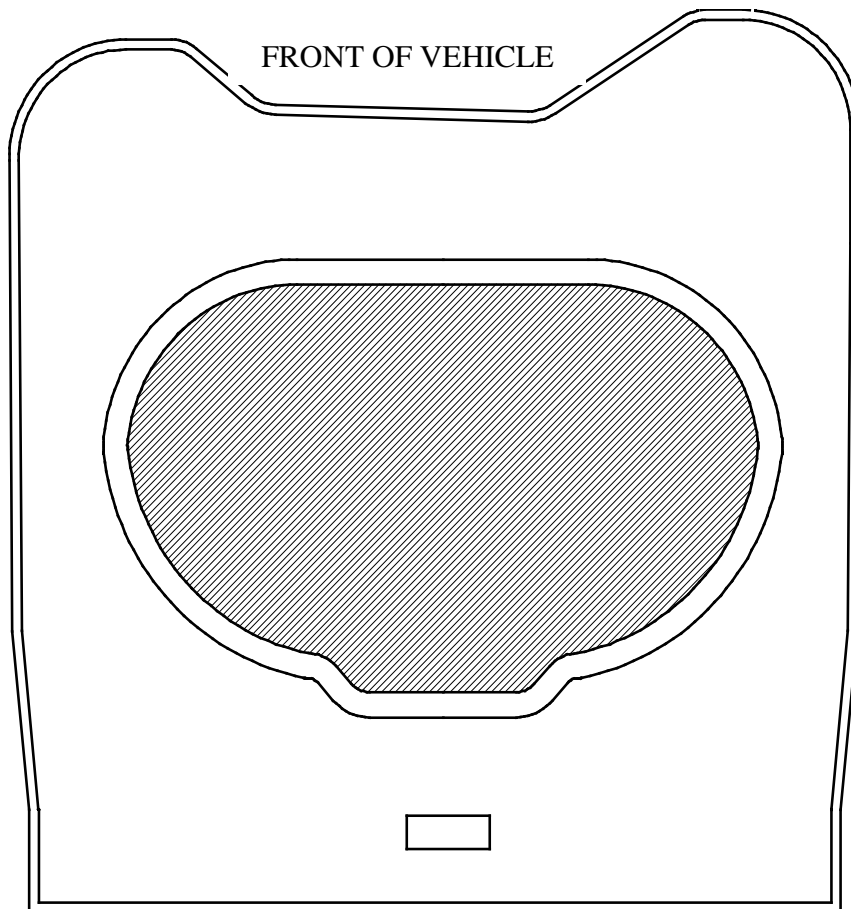
THANK YOU FOR SELECTING A HUSKY FLOOR LINER FROM WINFIELD CONSUMER PRODUCTS

CARE AND USE INSTRUCTIONS

Your new floor liner is custom molded to fit your particular vehicle. The liner is made to take the place of your factory floor mats. For correct fit, it is necessary to remove the factory floor mat before installing your new floor liner. *However, do not remove the factory-installed carpeting.*

Your liner is made from an engineering resin that is lightweight and extremely tough and durable. The easiest way to clean your liner is with a damp cloth or sponge. If using a cleaner, 409® or Glass Plus® work well. Use of Armor All®, Son-of-a-Gun® or similar items is discouraged as these products make the liner slick.

INSTALLATION INSTRUCTIONS FOR YOUR FORD RANGER/MAZDA B-SERIES CENTER HUMP LINER



NOTE: IF YOUR VEHICLE IS EQUIPPED WITH A MANUAL TRANSMISSION, IT WILL BE NECESSARY TO TRIM YOUR LINER. REMOVE THE MATERIAL INSIDE OF THE RAISED BANDS (SHOWN SHADED ABOVE). A UTILITY KNIFE OR SCISSORS WORK WELL FOR TRIMMING.