

01-02 FORD ESCAPE WITHOUT FENDER FLARES REAR MUD GUARD

INSTALLATION INSTRUCTIONS

Please read instructions thoroughly before installation.

Tools Required

- 1/8" drill bit / Drill
- Short Phillips screwdriver
- Marking utensil (fine tip marker, grease pencil, etc.)

Package Contents

- Driver & passenger side rear mud guard
- #10 screw (qty. 8)
- Instruction sheet

NOTE: It may be necessary to remove the rear wheels depending on the tools being used for installation.

1. Clean and degrease the mud guard location area on the fender before installation.
2. Place mud guard against rear fender and using mud guard as a template mark and drill 1/8" holes at locations A, B, C, and D (Figure 1).
3. Attach mud guard with #10 screws at locations A, B, C, and D, check fit and level before tightening.

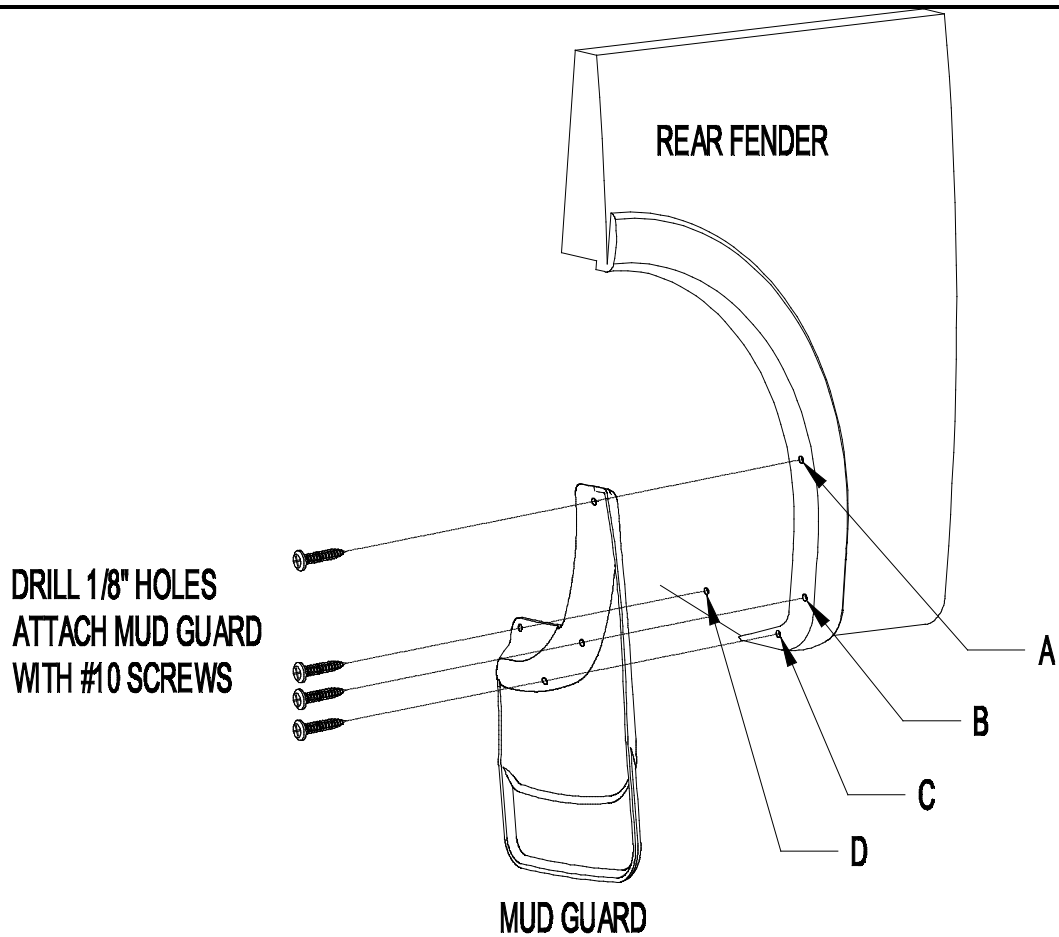


Figure 1

PAINTING INSTRUCTIONS

1. Clean mud guard with a soap and water solution to remove dirt and other contaminants.
2. Sand painting surface with 320 grit sand paper.
3. Apply a coating of flexible primer-adhesion promoter.
4. Apply a flexible paint as directed by the paint manufacturer