

97 – 01 FORD EXPEDITION WITH FENDER FLARES REAR MUD GUARD INSTALLATION INSTRUCTIONS

Please read instructions thoroughly before installation.

Tools Required

- 1/8" drill bit / Drill
- Short Phillips screwdriver
- Marking utensil (fine tip marker, grease pencil, etc.)

Package Contents

- Driver & passenger side rear mud guard
- #10 screw (qty. 4)
- Instruction sheet

1. Clean and degrease the mud guard location area on the fender before installation.
2. Remove factory fastener from location A (Figure 1).
3. Attach mud guard to rear fender with the factory fastener at location A, check fit and alignment. Adjust accordingly before tightening.
4. Using the mud guard as a template, mark and drill 1/8" holes at location B and C into fender flare and fender.
5. Install #10 screws at locations B and C, through mud guard into fender flare and fender (Figure 1).

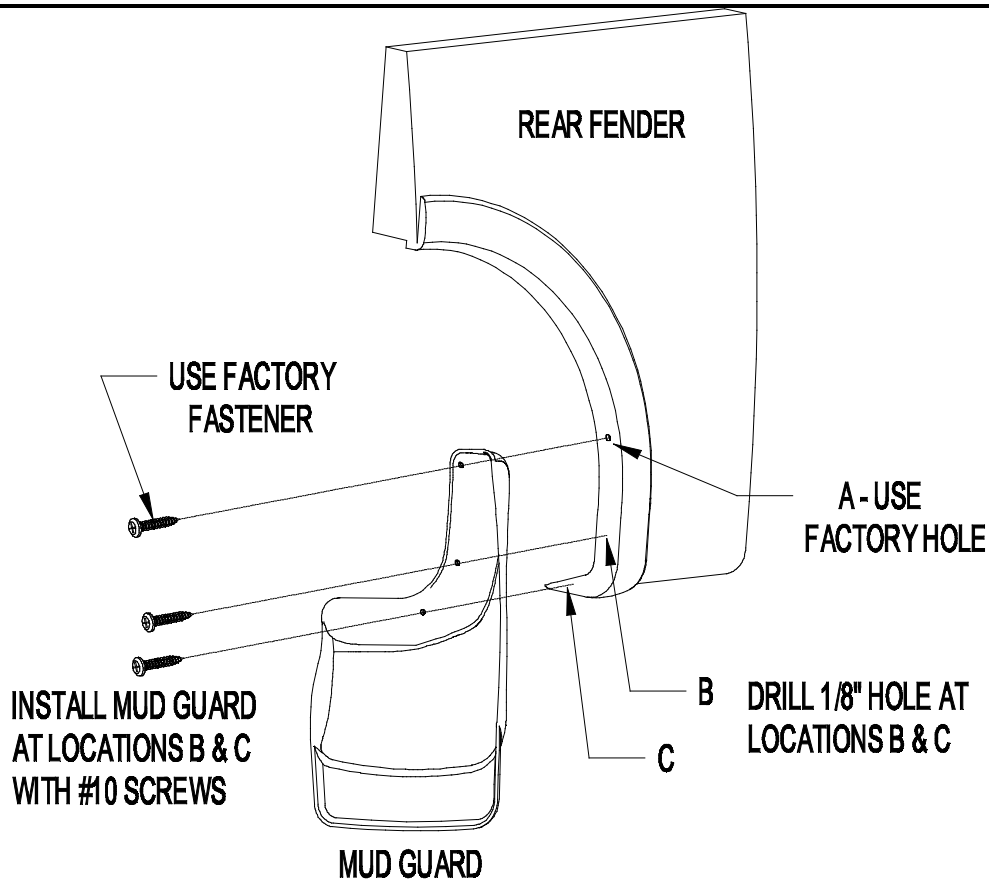


Figure 1

PAINTING INSTRUCTIONS

1. Clean mud guard with a soap and water solution to remove dirt and other contaminants.
2. Sand painting surface with 320 grit sand paper.
3. Apply a coating of flexible primer-adhesion promoter.
4. Apply a flexible paint as directed by the paint manufacturer