

99-02 JEEP GRAND CHEROKEE LIMITED REAR MUD GUARDS INSTALLATION INSTRUCTIONS

Please read instructions thoroughly before installation.

Tools Required

- Short Phillips screwdriver
- Center punch / Hammer
- Drill / 1/8" drill bit

Package Contents

- Driver (LH) & passenger (RH) side rear mud guard
- #10 screw (qty. 8)
- U-Clip (qty. 4)
- Instruction sheet

NOTE: It may be necessary to remove the rear wheels depending on the tools being used for installation.

1. Clean and degrease the mud guard location area on the fender before installation.
2. Remove factory fasteners from locations A and C (Figure 1).
3. Attach mud guard by installing a #10 screw at location A - through mud guard, fender, liner, metal bracket and into a U-Clip (U-Clip is placed on the back-side of the bracket, DO NOT slide U-Clip over metal bracket (Figure 1), check fit and level before tightening.
4. Install a #10 screw at location C - through mud guard, fender, liner, into a U-Clip (U-Clip is placed on the back-side of the liner, DO NOT slide U-Clip over liner (Figures 1 and 2).
5. Using mud guard as a template, center punch and drill 1/8" holes at locations B and D (Figure 1).
6. Install #10 screws at locations B and D.

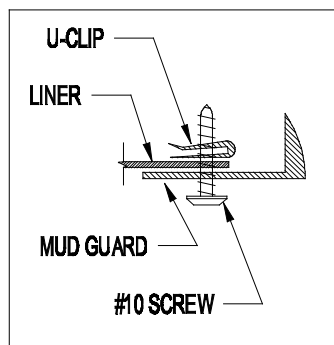


Figure 2

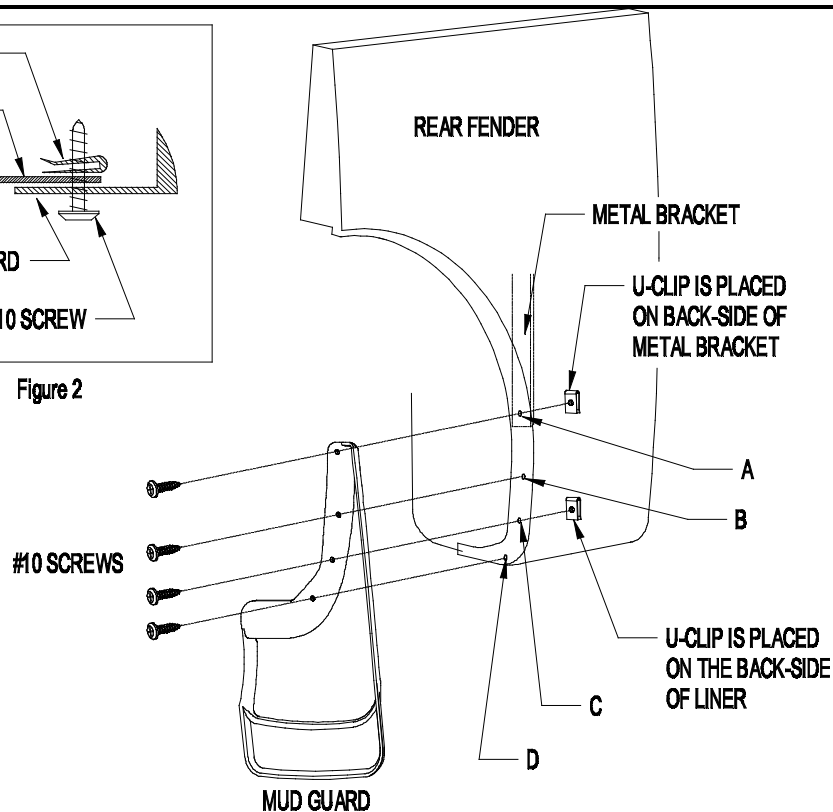


Figure 1

PAINTING INSTRUCTIONS

1. Clean mud guard with a soap and water solution to remove dirt and other contaminants.
2. Sand painting surface with 320 grit sand paper.
3. Apply a coating of flexible primer-adhesion promoter.
4. Apply a flexible paint as directed by the paint manufacturer.